



avantium

A CERIM AND ATOM COMPANY

Shoes machinery
and automated systems



ATOM



MADE IN ITALY



ATOM



Atom MB and Cerim give life to a new and ambitious industrial project: AVANTIUM is born, a company with operational headquarters in Vigevano, 50% owned by the ATOM and CERIM properties, into which the industrial contents of Cerim and AtomMB converge. A synergy that makes it possible to optimize customer service, to strengthen the international presence and to jointly develop the production and distribution network with an expanded and integrated catalog of products.

AVANTIUM's core values are high quality and service standards safety in the workings and a constant technological development of the finished product.

AVANTIUM offers a complete range of machinery able to satisfy the most diverse production needs, pre-lasting and lasting, bottom of the shoe working, side working and pressing.



MACHINE INDEX

PULLING OVER LASTING MACHINES

Tracers

SINCRON TSX

K078LM

K078

Injector (applicator)

X78MULTISHAPE

X78

HEEL SEAT AND SIDE-LASTING MACHINE

Heel seat and side-lasting machine

AV SEI

AV UNO

MARK 2 TSI

Heel seat and side

MARK 3 TSI

K58TX

K58STI

BOTTOM WORKING MACHINES

Rough-milling, pounding, roughing machines

CD10 TS2/RC

CD10 TS2/SC

Roughing cementing machines

CD3 TS2/CI

Cementing machines

CD3 TS2/CC

SIDE WORKING MACHINES

Roughing machines

K175

Cementing machines

K195

SOLES WORKING MACHINES

K170

SOLES CEMENTING MACHINES

K301



PULLING OVER LASTING MACHINES

Tracers

TECHNICAL FEATURES SINCRON TSX

TECHNICAL FEATURES K078LM

TECHNICAL FEATURES K078

Injector (applicator)

TECHNICAL FEATURES X78MULTISHAPE

TECHNICAL FEATURES X78

HEEL SEAT AND SIDE-LASTING MACHINES

Heel seat and side-lasting machines

TECHNICAL FEATURES AV SEI

TECHNICAL FEATURES AV UNO

TECHNICAL FEATURES MARK 2 TSI

Heel seat lasting machines

TECHNICAL FEATURES MARK 3 TSI

TECHNICAL FEATURES K58TX

TECHNICAL FEATURES K58STI

BOTTOM WORKING MACHINES

Rough-milling, pounding, roughing machines

TECHNICAL FEATURES CD10 TS2/RC

TECHNICAL FEATURES CD10 TS2/SC

Roughing cementing machines

TECHNICAL FEATURES CD3 TS2/CI

Cementing machines

TECHNICAL FEATURES CD3 TS2/CC

SIDE WORKING MACHINES

Roughing machines

TECHNICAL FEATURES K175

Cementing machines

TECHNICAL FEATURES K195

SOLES WORKING MACHINES

TECHNICAL FEATURES K170

SOLES CEMENTING MACHINES

TECHNICAL FEATURES K301



Pulling over lasting machines

SINCRON TSX

Pulling-over lasting machine
with tracers, numerical control



- Touch screen with Beckhoff system
- Touch screen with Beckhoff system
- Quick pincers change
- Automatic pincers encirclement
- Control panel that can be placed on the left or on the right according to needs
- Programmable last support, inclination included
- Motorized regulation of Teflon position
- Motorized rear support
- Optical projector
- Remote assistance and control
- Suitable for high-end productions thanks to the sophistication of the movements
- Remote assistance by TeamViewer
- Industria 4.0 ready

SECTORS OF APPLICATION



Man



Woman



Child



Safety



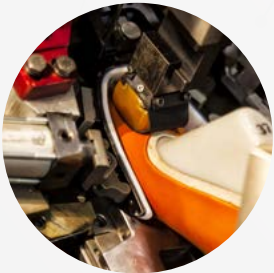
Sports



Lasted Sneakers



Goodyear



PINCERS

9 servo-assisted pincers, in pulling and positioning, with quick-change blocking parts. The pressure of pincers' closure is carried out by proportional valves with values that can be set on screen.



CEMENT DISTRIBUTION

Exclusive and tested system of the cement distribution, through programmable nozzles from the toe to the waist or, simply pressing a button, the mixed system with the crown in the toe and the nozzles for the ball and waist.



ERGONOMIC SETTINGS

Touchscreen that can be set by the operator with the main functions, choice of the manipulators position for the pincers' manual pulling, wide inner accessibility to facilitate the maintenance interventions. Possibility of remote assistance by Teleservice, for a quick and immediate technical support.

OPTIONALS & ACCESSORIES

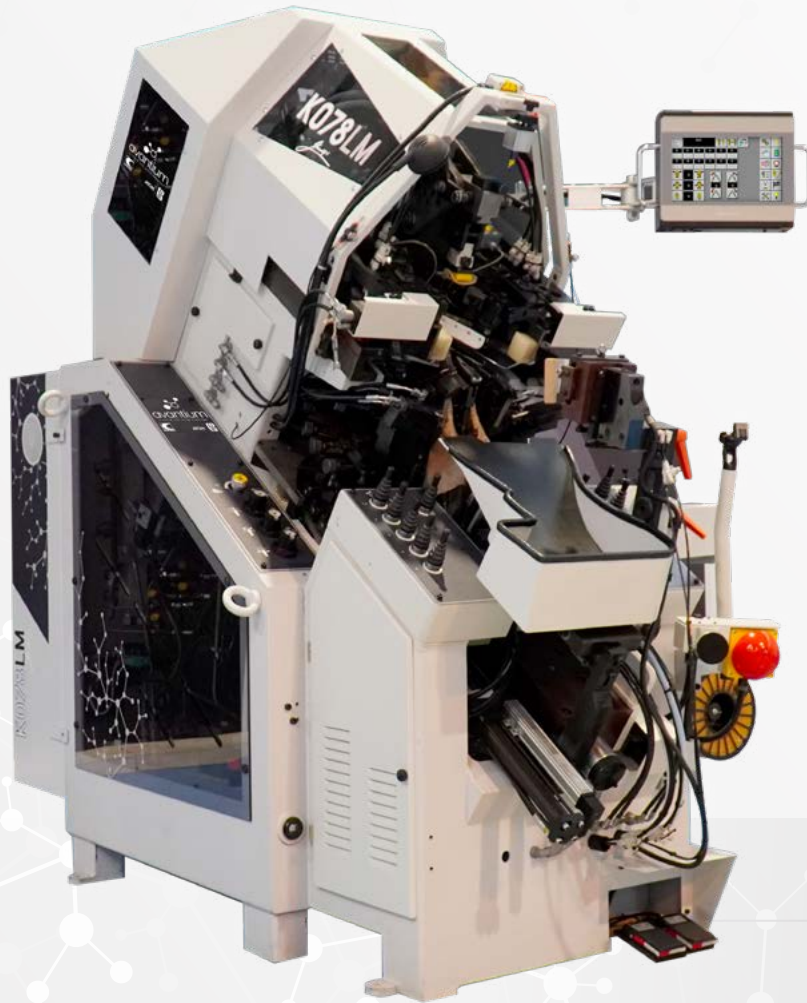
Tooling set:

- **Short lasting set:**
(wipers, crown, last support, teflon)
- **Long lasting set**
(wipers, crown, last support, teflon)
- **Extra pincers set**
- **Goodyear set**

[VIEW DATASHEET >](#)

K078LM

Pulling-over, toe and forepart lasting machine programmable, electronic, hydraulic



- Opening pincers times, functions, pincer's draftings and goals.
- Tracers for the whole cement distribution.
- Pincers encirclement for last profile, wipers stroke, last support with intermediate positions
- Forwarding and closing wipers movement
- Adjustable upper presser with different working phases
- Last support speed and positions
- Closing and slipping pincers pressures
- Heel rest with new adjustments and left and right movement
- Industria 4.0 ready

SECTORS OF APPLICATION



Man



Woman



Sports



Lasted Sneakers



Goodyear

FEATURES K078LM



Less than 2 minutes for change of style.



Total thermocement application by two movable tracers suitable for any kind of shoe in any size



Full color multilanguage 10" touch screen display with fault assistant



Double last support for pointed toes and programmable last support speed and positions



New **MULTI SHAPE** programmed pincers unit: extreme accuracy of pincers encirclement



Quick toe pincers changing system.



Teflon with 5 pressure points, quick change, vertical upper presser with programmed pressures

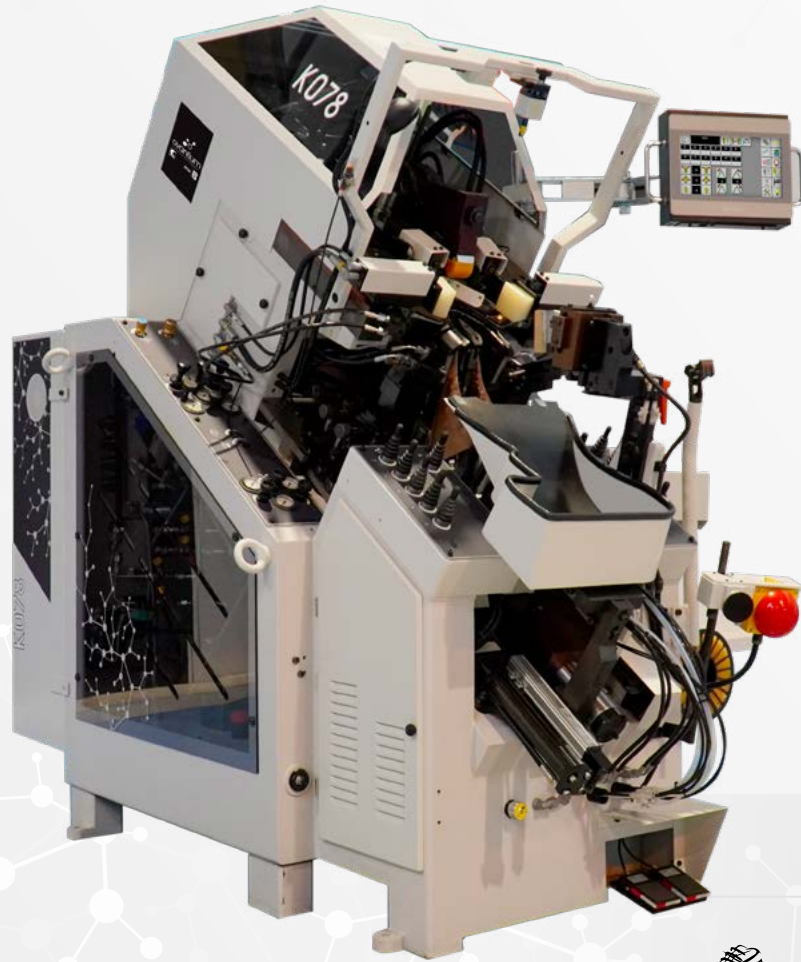
OPTIONALS & ACCESSORIES

- **Mercalli Calibrator System.**
- Programmable last support inclination.
- Units for good year shoes
- Double last support for pointed toes
- **EASY LINK**

[VIEW DATASHEET >](#)

K078

Pullingover, toe and forepart lasting machine, electronic and hydraulic



Programmability for:

- Opening pincers times, functions, pincer's draftings and goals.
- Tracers for the whole cement distribution.
- Pincers encirclement for last profile, wipers stroke, last support with intermediate positions and heel rest.
- Programmable movable head
- Industria 4.0 ready

SECTORS OF APPLICATION



Man



Woman



Child



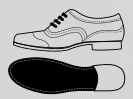
Safety



Sports



Lasted Sneakers



Goodyear

FEATURES: K078



Less than 2 minutes for change of style.



Total thermocement application by two movable tracers suitable for any kind of shoe in any size



Full color multilanguage 10" touch screen display with fault assistant.



Double last support for pointed toes.



New **MULTI SHAPE** programmed pincers unit: extreme accuracy of pincers encirclement. Quick toe pincers changing system.

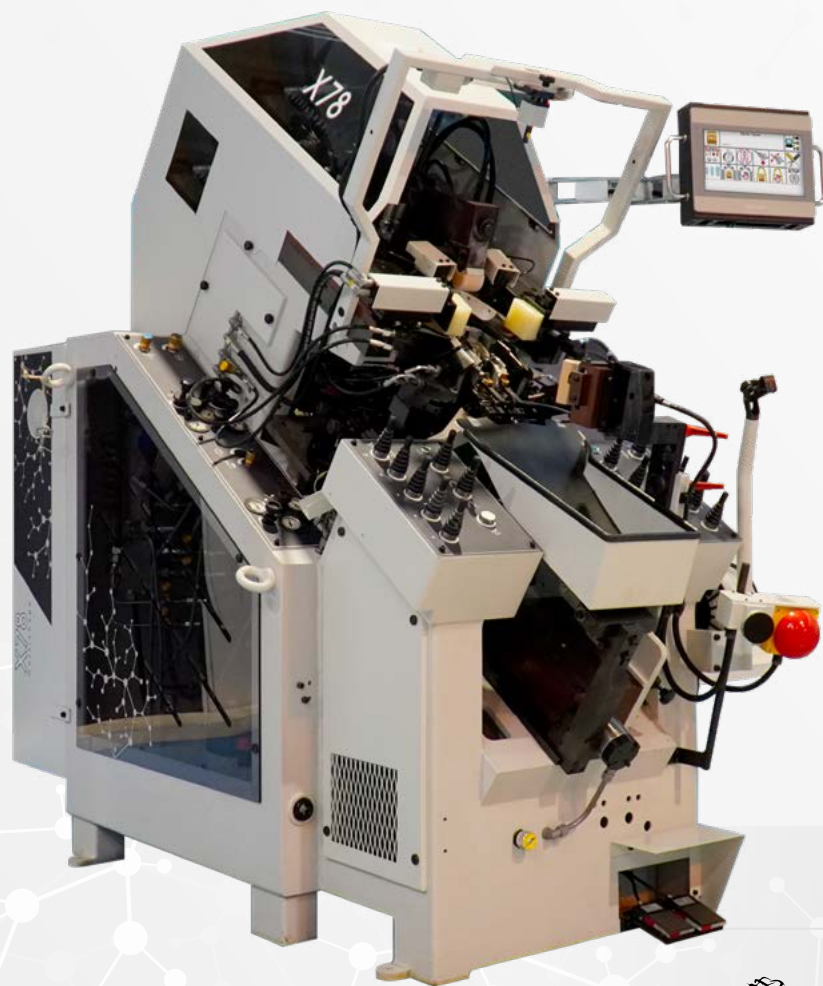
OPTIONALS & ACCESSORIES

- **MULTI SHAPE** pincers group
- **Mercalli Calibrator System.**
- Pincers n. 5 horizontal drafting.
- Programmable last support inclination.
- Units for good year shoes and for safety shoes (steel toe cap).
- Double last support for pointed toes.
- **EASY LINK**

[VIEW DATASHEET >](#)

X78MULTISHAPE

Machine with quick working-style changing system



Pulling-over, toe and forepart lasting machine, programmable, electronic, hydraulic, with 9 independent pincers.

- Unit for the automatic injection of rod thermoplastic cement
- Motorized wipers stroke
- SZ group for the lasting up to the ball area
- Single pincers opening device
- Industria 4.0 ready

SECTORS OF APPLICATION



Man



Woman



Child



Safety



Sports

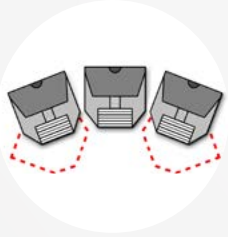


Lasted Sneakers



Goodyear

FEATURES X78MULTISHAPE



New **MULTI SHAPE** programmed pincers unit: extreme accuracy of pincers encirclement.



Quick toe pincers changing system



New MULTI SHAPE injectors. Suitable for any shape: round, square and pointed toe. Wide range of adjustments for perfect shape according to new style and size change. Right / left positioning function included.

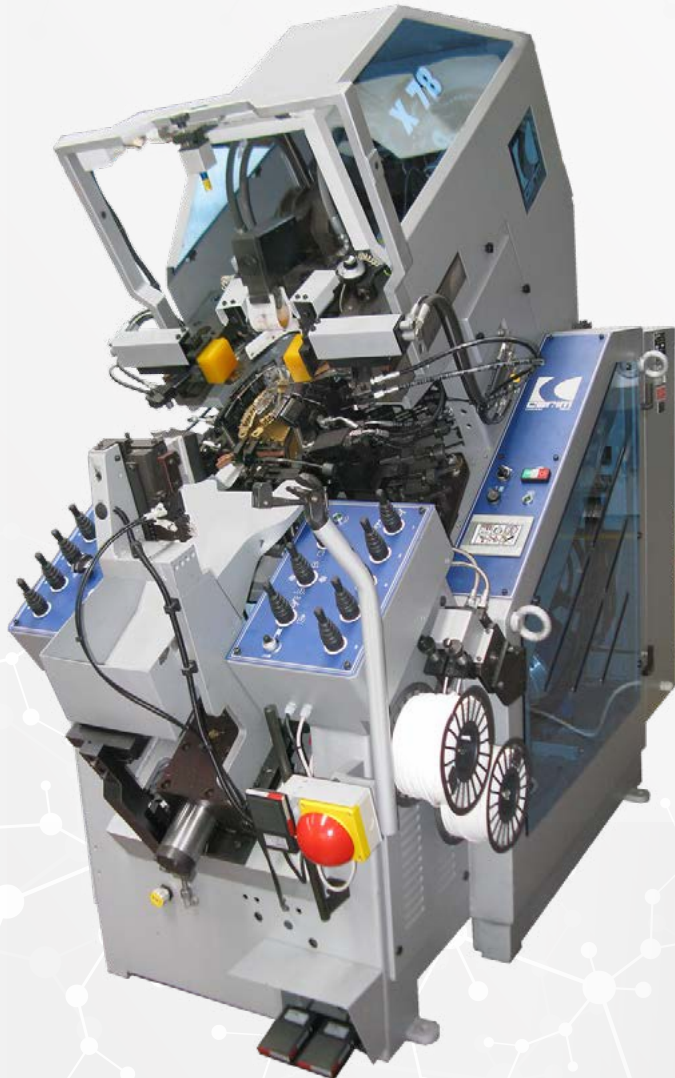


Full color 10" touch screen display with style programming on USB key.

OPTIONALS & ACCESSORIES

- Standard injectors
 - New MULTI SHAPE injectors
 - Mercalli Calibrator System
- Modification for the programming of:
- *standard injector
 - *multishape injector
 - *position of the second release with electronic control
 - *motorized wipers stroke
 - *differentiated rising speed of the last support
- Tooling for safety shoes

[VIEW DATASHEET >](#)



The pulling over and toe lasting machine model X78, hydraulic 9 pincers and thermoplastic injection, is suitable for any kind of work. A special kit, in the basic version X78, grants a perfect lasting of safety shoes and boots with iron or plastic toe cap. The X78 is completed with wide range of standard features such as rotating pincers, new laser projector and movable pincers system. Additional features are available as optionals such as motorized wipers stroke, single pincers opening device, rearward drafting, kit for pointed toe ladies shoes, and heel rest with left and right movement. Special optional facilities allow to produce "Goodyear" and "San Crispino" footwear.

The version X78SZ includes a hydraulic device, equipped with movable wipers elements which extends the lasting over the ball area. Speed and precision on the pressure control and easy maintenance reduce the operating costs compared to similar machines equipped with compressed air system.

SECTORS OF APPLICATION



Man



Woman



Child



Safety



Sports



Lasted Sneakers



Goodyear

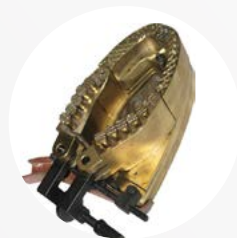
FEATURES X78



A color display, practical and intuitive with self-diagnosis, helps the operator to perform all adjustments quickly and easily; such as the use of features for particular cycles, the changing of times, the opening pincers managing and the setting of the automatic drafting, without the necessity to open the electrical panel and without mechanical adjustments



Adjustable applicator



Right / left adjustable applicator



Safety shoes applicator



NEW MULTI SHAPE applicator

OPTIONALS & ACCESSORIES

- Motorized wipers stroke
- Single pincers opening device
- Horizontal drafting
- Pointed toes woman shoes working set
- Heel rest left and right movement
- "Goodyear" shoes working. "Safety" shoes working (iron toe)
- Reinforced pincers device for safety shoes
- 4.0 Industry kit with 10" colour touch screen monitor with programs storage on USB and automatic pincers support plate for the side pincers widen-tighten function based on the selected shoe number.

[VIEW DATASHEET >](#)



Heel seat and side-lasting machines



With the following features:

- Colour LCD monitor with touchscreen
- Control panel that can be placed on the right or on the left according to needs
- Inclined heel seat tacks
- Possibility to put the last in an external position to facilitate correction operations
- Motorized double side loader
- Motorized side lasting group
- Differential pulling for side lasting
- Last entry control with photocells
- Automatic left and right
- Automatic reading of the lower profile
- Automatic heel height regulation
- Self-centering last support
- Remote assistance by router with software Ubiquity
- Industria 4.0 ready

SECTORS OF APPLICATION



Man

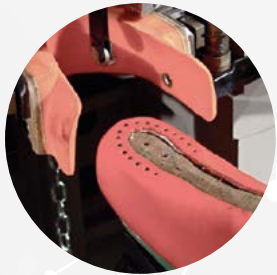


Woman



INCLINED TACKS SYSTEM

The lasting is carried out with 18, 20 or 22 tacks according to the extension of the heel seat in working; the linear tacks loader provides for the tacks distribution with three coaxial distributors, which allow to use tacks of different length simultaneously. The nailing position can be set.



MOULD BLOCKING SYSTEM

A new blocking system of the mould allows to work with the shoe on the machine external position, for manual intervention on the quality and control of the shoe, or with the mould in a fix position to ensure speed in the execution.



ERGONOMIC SETTINGS

Touchscreen adjustable at the operator's choice, simple and intuitive software, and unlimited programmable functions.

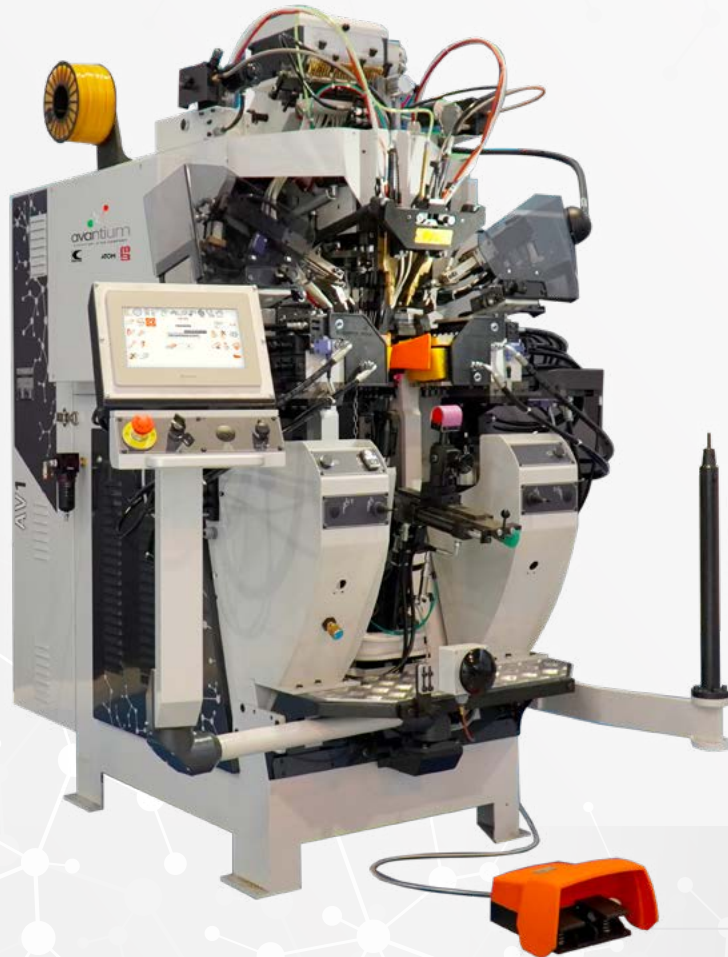
OPTIONALS & ACCESSORIES

- Automatic toe support

[VIEW DATASHEET >](#)

MARK AV UNO

Inclined tacks heel seat and sides lasting machine



Programmable microprocessor controller, with the following features:

- Colour LCD monitor with touchscreen
- Control panel that can be placed right or left, according needs
- Last support group integral with the heel band group
- Last exit in external position
- Automatic reading of the insole profile
- Automatic heel height adjustment
- Pincers pair for side pulling
- Automatic right and left
- Automatic regulation of wipers opening
- Manual toe support adjustment
- Self-centering last support
- External adjustment of heel band closing pressure
- Remote assistance by router with Ubiquity software
- Industria 4.0 ready

SECTORS OF APPLICATION



Man



Woman



Child



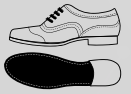
Safety



Sports

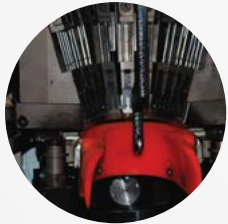


Lasted Sneakers



Goodyear

FEATURES AV UNO



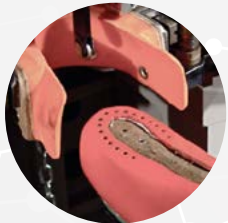
INCLINED TACKS SYSTEM

The lasting is carried out with 18, 20 or 22 tacks according to the extension of the heel seat in working; the linear tacks loader provides for the tacks distribution with three coaxial distributors, which allow to use tacks of different length simultaneously. The nailing position can be set.



CEMENT DISTRIBUTION

Tested system for a precise cement distribution on the insole; temporary variation of the cementing do not affect the programming.



MOULD BLOCKING SYSTEM

A new blocking system of the mould allows to work with the shoe on the machine external position, for manual intervention on the quality and control of the shoe, or with the mould in a fix position to ensure speed in the execution.



ERGONOMIC SETTINGS

Touchscreen adjustable at the operator's choice, simple and intuitive software, and unlimited programmable functions

OPTIONALS & ACCESSORIES

- Automatic toe support
- 4 pincers modification
- Motorized hands group height

[VIEW DATASHEET >](#)

MARK 2 TSI

New generation of thermocement heel seat and side lasting machine



For a constant precision and rapidity of execution, with the following features:

- Colour LCD monitor with touchscreen
- Hydraulic functioning with some pneumatic movements
- Control panel that can be positioned on the left or on the right, according needs, with touch screen
- Injection of thermocement on the shoe insole
- Automatic reading of the shoe insole, from the heel to the ball and simultaneous positioning of the sides lasting unit.
- Last entry control with photocells
- Automatic heel height adjustment
- Automatic side pincers, independent manual correction
- Automatic calculation of sizes development
- Remote assistance by router with software Ubiquity
- Industria 4.0 ready

SECTORS OF APPLICATION



Man



Woman



Child



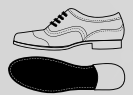
Safety



Sports



Lasted Sneakers



Goodyear

FEATURES MARK 2 TSI



PINCERS

Two pincers group, at the side of the last, for the pre-tensioning of the upper. Automatic pulling and independent manual correction.



CEMENT DISTRIBUTION

The injection of the thermocement on the shoe's insole, guarantees a precise distribution within the working area.



ERGONOMIC SETTINGS

Touchscreen adjustable at the operator's choice, simple and intuitive software, and unlimited programmable functions.

OPTIONALS & ACCESSORIES

- Automatic toe support
- Baby modification

[VIEW DATASHEET >](#)

MARK 3 TSI

Inclined Tacks heel seat lasting machine, programmable microprocessor controller



With the following features:

- Colour LCD monitor with touchscreen
- Control panel that can be placed right or left, according needs
- Last support group integral with the heel band group
- Possibility to put the last in an external position to facilitate correction operations
- Self-centering last support
- Programming of the nailing position
- Automatic development increase
- Automatic right and left
- Last entry control with photocells
- Automatic heel height regulation
- External adjustment of heel band closing pressure, last entry, wipers closing speed
- Remote assistance by router with software Ubiquity
- Industria 4.0 ready

SECTORS OF APPLICATION



Man



Woman



Child



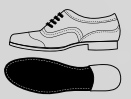
Safety



Sports

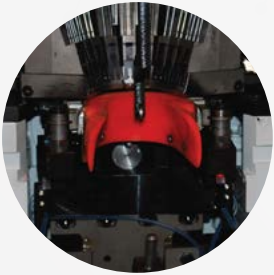


Lasted Sneakers



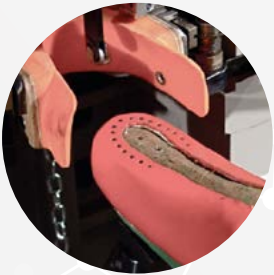
Goodyear

FEATURES MARK 3 TSI



INCLINED TACKS SYSTEM

The lasting is carried out with 18, 20 or 22 tacks according to the extension of the heel seat in working; the linear tacks loader provides for the tacks distribution with three coaxial distributors, which allow to use tacks of different length simultaneously. The nailing position can be set.



MOULD BLOCKING SYSTEM

A new blocking system of the mould allows to work with the shoe on the machine external position, for manual intervention on the quality and control of the shoe, or with the mould in a fix position to ensure speed in the execution.



ERGONOMIC SETTINGS

Touchscreen adjustable at the operator's choice, simple and intuitive software, and unlimited programmable functions.

OPTIONALS & ACCESSORIES

- Light insole modification

[VIEW DATASHEET >](#)

K58TX

Tracers heel seat lasting machine



The K58TX born on the natural evolution of the well known K58STI. The cement is applied by tracers directly on the insole.

Thanks to the full electronic control of the machine, all cycles settings, timers, cementing data for all sizes.

- Industria 4.0 ready

SECTORS OF APPLICATION



Man



Woman



Child



Safety



Sports



Lasted Sneakers

FEATURES K58TX



Thermocement application by tracers directly on the insole



7" Touch screen programming system with styles storage on USB key, autodiagnostic functions



[VIEW DATASHEET >](#)



The machine model K58STI is a new version of our heel seat laster which from more than 50 years is successfully on the market. Owing to a new system of clamping of the last with the heel pad, the heel seat is perfectly moulded and sharpened on the edge; this is possible with any type of uppers and by using both neoprene or thermoplastic cements. For the latest there is the version with thermoinjection device, which eliminates the worker employed at the manual application of glue. Also special lasts, like the smaller children sizes, are easily lasted with excellent results.

The machine K58STI has a considerable daily output : the last support comes in automatically and allows an easy introduction of long bootlegs. The adjustment for the different heights of lasts is automatic, therefore the machine is fit for different types of work.

The operating devices are electrical and hydraulic. They are very sensitive and work very smoothly. To set the machine the operator can make adjustments quickly and easily.

SECTORS OF APPLICATION



Man



Woman



Child



Safety



Sports



Lasted Sneakers

FEATURES K58STI



[VIEW DATASHEET >](#)



Bottom working machines

CD10 TS2/RC

Pounding/roughing o rough-milling /pounding machine



Pounding/roughing o rough-milling/pounding machine for the shoe bottom, with two independent heads that carry out the operations simultaneously.

It presents the following features:

- 15" Touch Screen monitor, in ergonomic position
- MS Windows operative system
- Data saving and updating system by means of USB support
- Real possibility of remote assistance
- Rough-milling/roughing/pounding tool adjustment following the three-dimensional path
- Speed and pressure of the tools adjustable point by point
- Photocells to unlock the last, without manual intervention
- Self-learning of the footwear profile with automatic shoe size development
- Soundproofing
- Remote assistance by TeamViewer
- Industria 4.0 ready

SECTORS OF APPLICATION



Man



Woman



Child



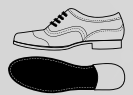
Safety



Sports



Lasted Sneakers



Goodyear

FEATURES CD10 TS2/RC



SELF-LEARNING

Self-learning of the shoe profile by pen, and automatic calculation of the inclination of the tools, all conveniently managed by touchscreen.



ROUGH MILLING / ROUGHING / POUNDING

The rough milling is carried out by a grinding roller which eliminates lasting excess materials, assuring an effective pounding and a perfect roughing. The pounding is performed by a pounding roller which, with its particular structure, is suitable for pounding operations on any type of materials.



ERGONOMIC SETTINGS

Touch screen in ergonomic position. Windows updated operating system, universal communication; data rescue system and updates by USB support.

OPTIONALS & ACCESSORIES

- Roughing tool on the machine side

[VIEW DATASHEET >](#)

CD10 TS2/SC

Rough-milling/roughing machine for the bottom of the shoe



With two independent heads that carry out the operations simultaneously. Alternately, both the heads can be set as rough-milling/rough-milling or roughing/roughing for high productivity working.

It presents the following features:

- 15" Touch Screen monitor, in ergonomic position
- MS Windows operative system
- Data saving and updating system by means of USB support
- Real possibility of remote assistance
- Rough-milling/roughing tool adjustment following the three-dimensional path
- Speed and pressure of the tools adjustable point by point
- Photocells to unlock the last, without manual intervention
- Self-learning of the footwear profile with automatic shoe size development
- Soundproofing
- Remote assistance by TeamViewer
- Industria 4.0 ready

SECTORS OF APPLICATION



Man



Woman



Child



Safety



Sports



Lasted Sneakers



Goodyear

FEATURES CD10 TS2/SC



SELF-LEARNING

Self-learning of the shoe profile by pen, and automatic calculation of the inclination of the tools, all conveniently managed by touchscreen.



ROUGH MILLING / ROUGHING

The rough milling is carried out by a grinding roller which eliminates lasting excess materials, effective roughing.



ERGONOMIC SETTINGS

Touch screen in ergonomic position. Windows updated operating system, universal communication; data rescue system and updates by USB support.

OPTIONALS & ACCESSORIES

- Roughing tool on the machine side

[VIEW DATASHEET >](#)

CD3 TS2/CI

Roughing/cementing machine



For the shoe bottom, or pounding/cementing machine (strobel shoes), with two independent heads that carry out the operations simultaneously.

It presents the following features:

- 15" Touch Screen monitor
- MS Windows operative system
- Data saving and updating system by means of USB support
- Real possibility of remote assistance
- Cementing/roughing/pounding tool adjustment following the three-dimensional path
- Speed and pressure of the tools adjustable point by point
- Brush rotation speed adjustable point by point
- Photocells to unlock the last, without manual intervention
- Self-learning of the footwear profile with automatic shoe size development
- Suitable both for water- and solvent-based cement
- Remote assistance by TeamViewer
- Industria 4.0 ready

SECTORS OF APPLICATION



Man



Woman



Child



Safety



Sports



Lasted Sneakers



Sneakers Strobel

FEATURES CD3 TS2/CI



SELF-LEARNING

Self-learning of the shoe profile by pen, and automatic calculation of the inclination of the tools, all conveniently managed by touchscreen.



ROUGHING / CEMENTING

Speed setting for the rotation of the roughing brush/tool. Roughing brush following the three-dimensional traced path, with the possibility of quick brush change. Internal system for dust collection and motorization updated with software for the encoder reading.



ERGONOMIC SETTINGS

Touch screen in ergonomic position. Windows updated operating system, universal communication; data rescue system and updates by USB support.

OPTIONALS & ACCESSORIES

- Roughing tool on the machine side
- Universal cement modification (water+solvent)
- Strobel pounding tool for strobel shoes pounding and cementing

[VIEW DATASHEET >](#)

CD3 TS2/CC

Cementing machine for the shoe bottom



With two independent heads to apply two different kind of cement (e.g. primer + cement) on the same shoe, or the same cement for high productivity working.

It presents the following features:

- 15" Touch Screen monitor, in ergonomic position
- MS Windows operative system
- Data saving and updating system by means of USB support
- Real possibility of remote assistance
- Cementing tool adjustment following the three-dimensional path
- Brush speed adjustable point by point
- Photocells to unlock the last, without manual intervention
- Self-learning of the footwear profile with automatic shoe size development
- Suitable both for water- and solvent-based cement
- Remote assistance by TeamViewer
- Industria 4.0 ready

SECTORS OF APPLICATION



Man



Woman



Child



Safety



Sports



Lasted Sneakers



Goodyear



Sneakers Strobel

FEATURES CD3 TS2/CC



SELF-LEARNING

Self-learning of the shoe profile by pen, and automatic calculation of the inclination of the tools, all conveniently managed by touchscreen.



CEMENTING

Speed setting for the rotation of the cementing tool, following the three-dimensional traced path. Motorization updated with software for the encoder reading.



ERGONOMIC SETTINGS

Touch screen in ergonomic position. Windows updated operating system, universal communication; data rescue system and updates by USB support.

[VIEW DATASHEET >](#)



Side working machines

K175

Automatic side roughing machine



The new kinematic mechanisms and the rotation of the tool with high power brushless motors, together with the accurate control of the engine revolutions, ensure constancy in the processing of leathers from the most delicate to the most resistant.

- Six programmable axis.
- Extreme accuracy of the working path.
- Display touch screen programming system.
- Automatic expansion for all sizes.
- Working operation allowing different pressures and speed at any programmed point.
- Instantaneous and independent programming and correction for zone, right and / or left shoe, size.
- DGT digitizer, programs can be created directly in the machine quickly and easily.
- New conical quick release of the tool, inspired by the ISO SK system, allows an easy maintenance and replacement unique in the sector.
- Very high output
- Self diagnostics
- Industria 4.0 ready

SECTORS OF APPLICATION



Man



Woman



Child



Safety



Sports



Lasted Sneakers



Sneakers Strobel

FEATURES K175



DGT digitizer, programs can be created directly in the machine quickly and easily.

[VIEW DATASHEET >](#)

Automatic upper side cementing machine

- Six programmable axis
- Cementing by brush
- Programming system with touch screen display
- Automatic sizes expansion
- Working with different pressures and speed for programmed point.
- Instant and independent corrections for zone, right and/or left shoe, size
- Suitable for solvent or water based glues
- Industria 4.0 ready



SECTORS OF APPLICATION



Man



Woman



Child



Safety



Sports



Lasted Sneakers



Sneakers Strobel

FEATURES K195



DGT digitizer, programs can be created directly in the machine quickly and easily.

[VIEW DATASHEET >](#)



Soles working machines

K170

Universal sector pads out-sole press



- Sector pads control for shape keeping.
- Inflatable cushion with adjustable pressure for Opanka and Jourdan soles.
- Toe pusher with electrical positioning system and heel seat pusher with quick manual positioning.
- Heel pusher with fast adjustment, quick release and adjustable pressure.
- Heel support with three different forces regulations.
- Fast and precise adjustable work pressure.
- Color touch screen display.
- Self-diagnostic.
- Industria 4.0 ready

SECTORS OF APPLICATION



Man



Woman



Child



Sports



Lasted Sneakers



Sneakers Strobel



Goodyear

FEATURES K170



Standard kit:

- Inflatable cushion.
- Back sectors with three different shapes.
- Heel support with different heights.
- Sector pads leather shield.
- Heel seat pusher for articulated lasts.
- Sectors pusher for pointed toes.



Color touch screen display



Inflatable cushion.



Sectors control for the shape keeping



Double pad for pointed toes

OPTIONALS & ACCESSORIES

- Double pusher for pointed toes.

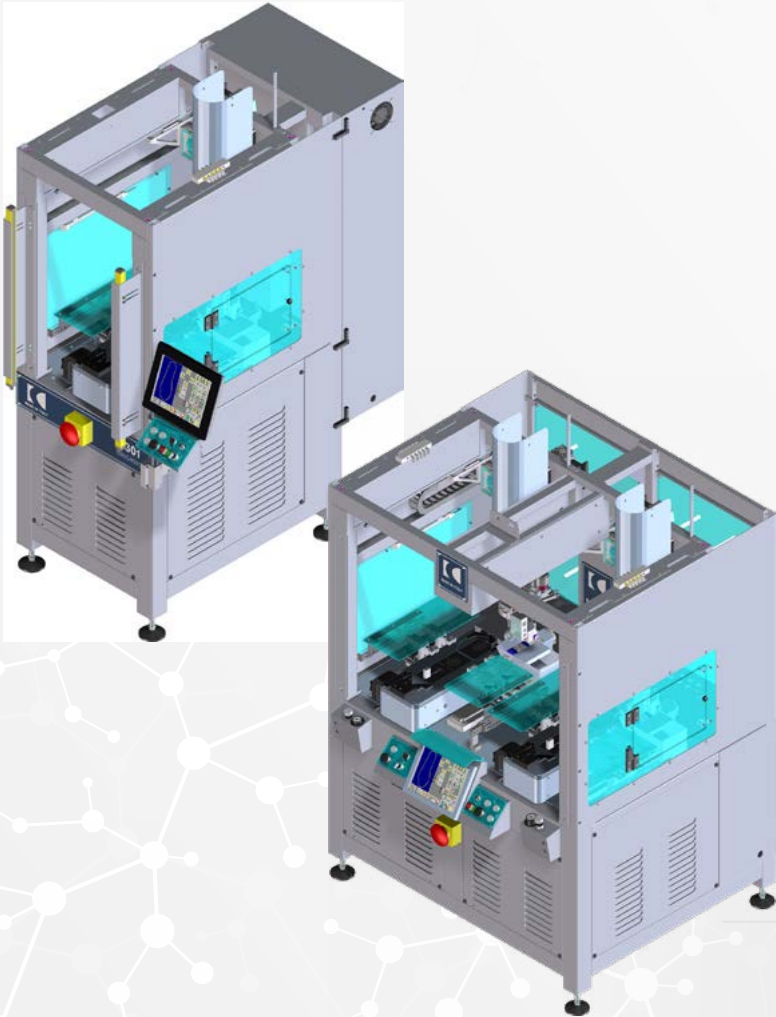
New optional for:

- Toe pressers programmability with automatic size expansion
- Automatic work pressure adjustment
- Times, functions and pressure storage for each style
- Style archive
- Add on: Programmed sectors pusher for pointed toes.

[VIEW DATASHEET >](#)



Soles cementing machines



New soles cementing machines line, from the flat up to the extreme walled one, with double tool working function (patent pending), no overgluing out of the sole edge, maximum cleaning and perfect cementing.

- New sole clamping system with toe support
- Single or double work station with independent heads
- Very high cementing profile definition
- Five interpolated and programmable movable axis for the different work tools inclinations
- Automatic profile expansion for the whole size range and for left and right
- Completely programmable execution speed and tools rotation
- Programming system with multilingual display touch screen with graphical display of the profile and multiple possibilities of correction (areas, point to point, graphical profile, etc.)
- Self-diagnosis
- Last generation pressurized cement tank
- Noxious gases suction system
- Very high output
- Industria 4.0 ready

SECTORS OF APPLICATION



Soles

FEATURES K301



Last generation
pressurized
cement tank



Processing
control with UV
lamp contrast

OPTIONALS & ACCESSORIES

- Machine set-up for the use of water-based adhesives
- Machine set-up for the use of different types of adhesives (solvent, water-based, primer, etc.)

[VIEW DATASHEET >](#)



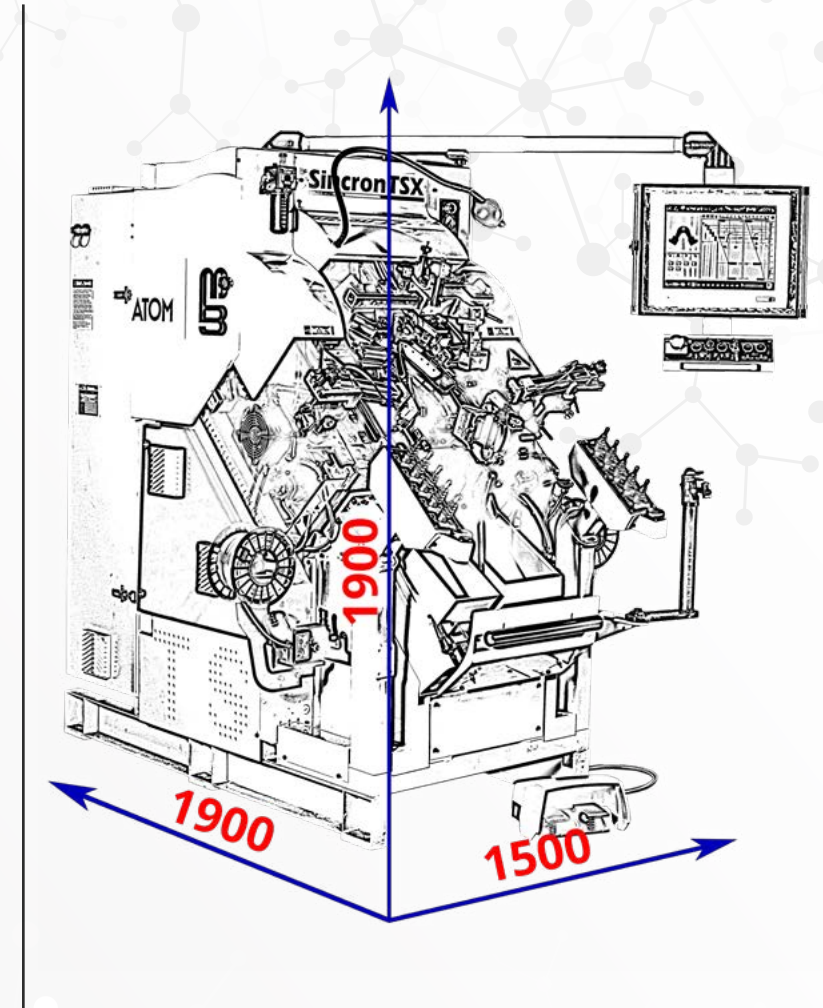
Datasheet



[BACK TO THE MAIN INDEX >](#)

TECHNICAL FEATURES SINCRON TSX

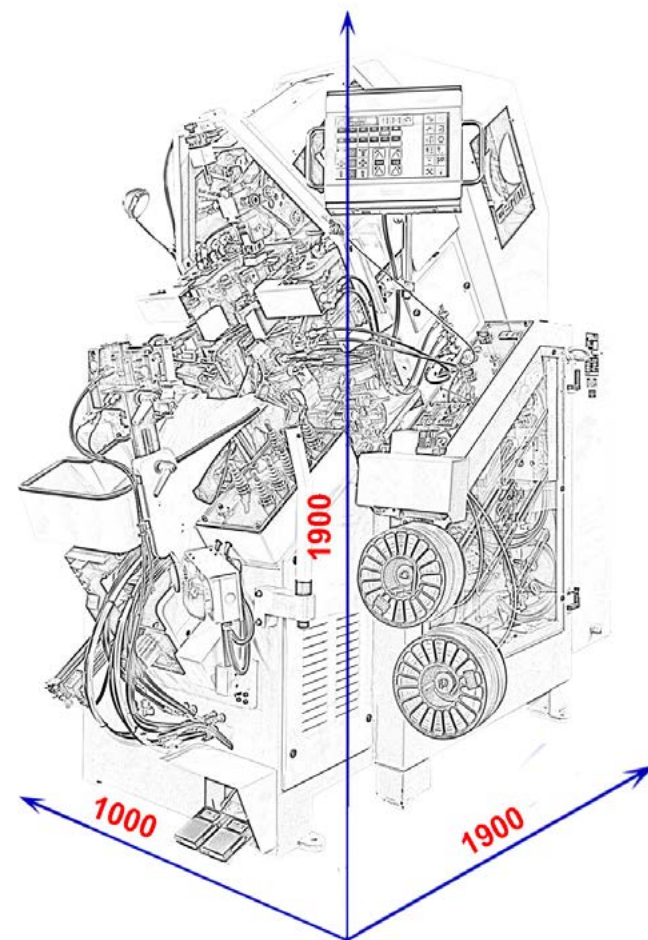
DIMENSIONS (L x W x H)	mm 1500 x 1900 x 1900
PACKAGING DIMENSIONS	mm 1650 x 2000 x 2050
NET WEIGHT	Kg 1100
GROSS WEIGHT IN CASE	kg 1385
TOTAL INSTALLED ELECTRIC POWER	Kw 10
PNEUMATIC POWER SUPPLY	Bar 6
POWER SUPPLY	3PH +N + PE



< BACK TO THE MACHINE DETAILS

TECHNICAL FEATURES K078 LM

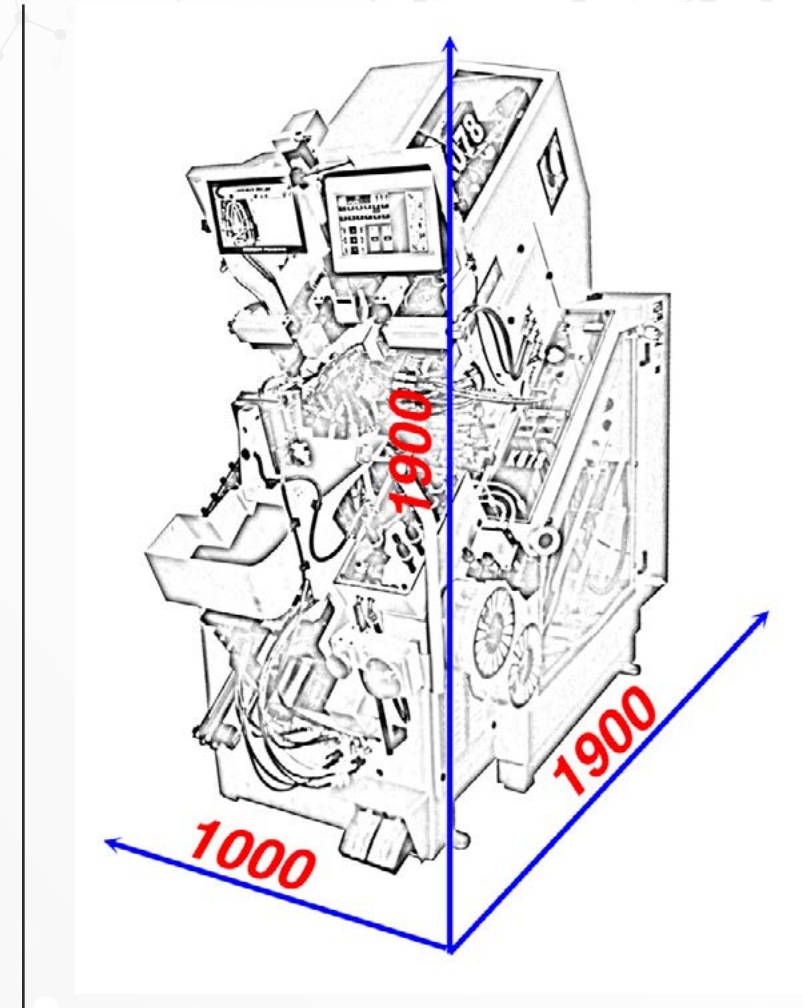
DIMENSIONS (L x W x H)	mm 1220 x 1900 x 2000
PACKAGING DIMENSIONS	mm 1300 x 2100 x 2260
NET WEIGHT	Kg 1350
GROSS WEIGHT IN CASE	Kg 1570
TOTAL INSTALLED ELECTRIC POWER	Kw 5,5
PNEUMATIC POWER SUPPLY	Bar 6
POWER SUPPLY	3PH + PE



[< BACK TO THE MACHINE DETAILS](#)

TECHNICAL FEATURES K078

DIMENSIONS (L x W x H)	mm 1220 x 1900 x 1950
PACKAGING DIMENSIONS	mm 1300 x 2100 x 2260
NET WEIGHT	Kg 1300
GROSS WEIGHT IN CASE	Kg 1520
TOTAL INSTALLED ELECTRIC POWER	Kw 5,5
PNEUMATIC POWER SUPPLY	Bar 6
POWER SUPPLY	3PH + PE

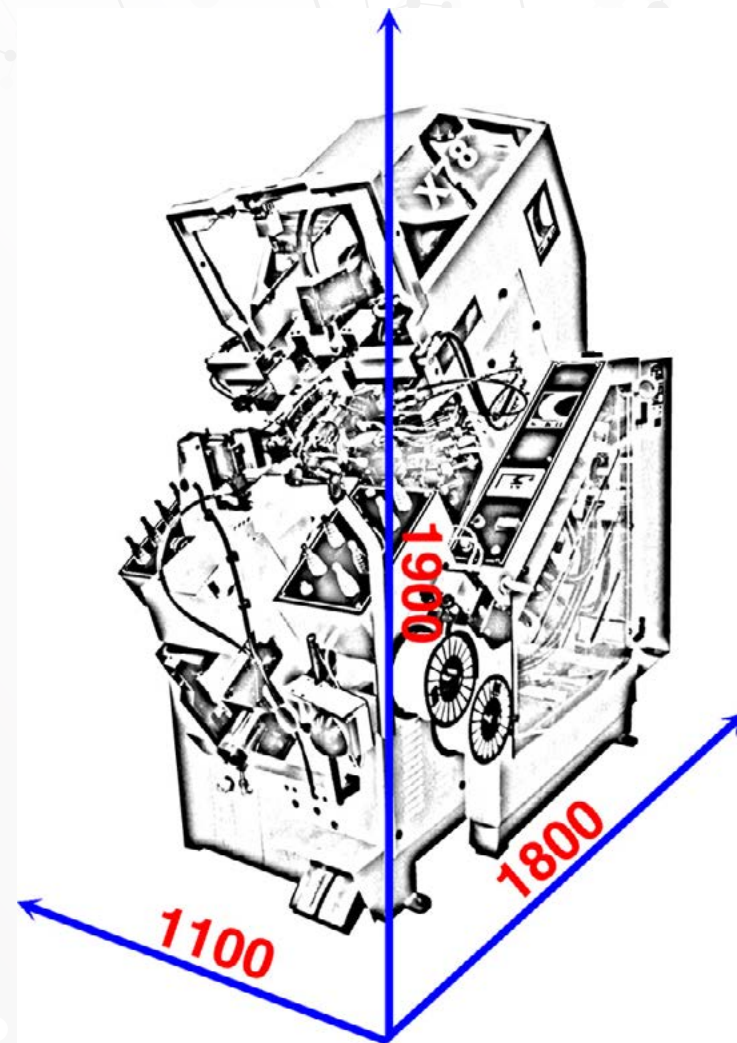


< BACK TO THE MACHINE DETAILS

TECHNICAL FEATURES X78 MULTI SHAPE

DIMENSIONS (L x W x H)	mm 1000 x 1850 x 1950
PACKAGING DIMENSIONS	mm 1300 x 2100 x 2210
NET WEIGHT	Kg 1250
GROSS WEIGHT IN CASE	Kg 1470
TOTAL INSTALLED ELECTRIC POWER	Kw 5,5
PNEUMATIC POWER SUPPLY	Bar 6
POWER SUPPLY	3PH + PE

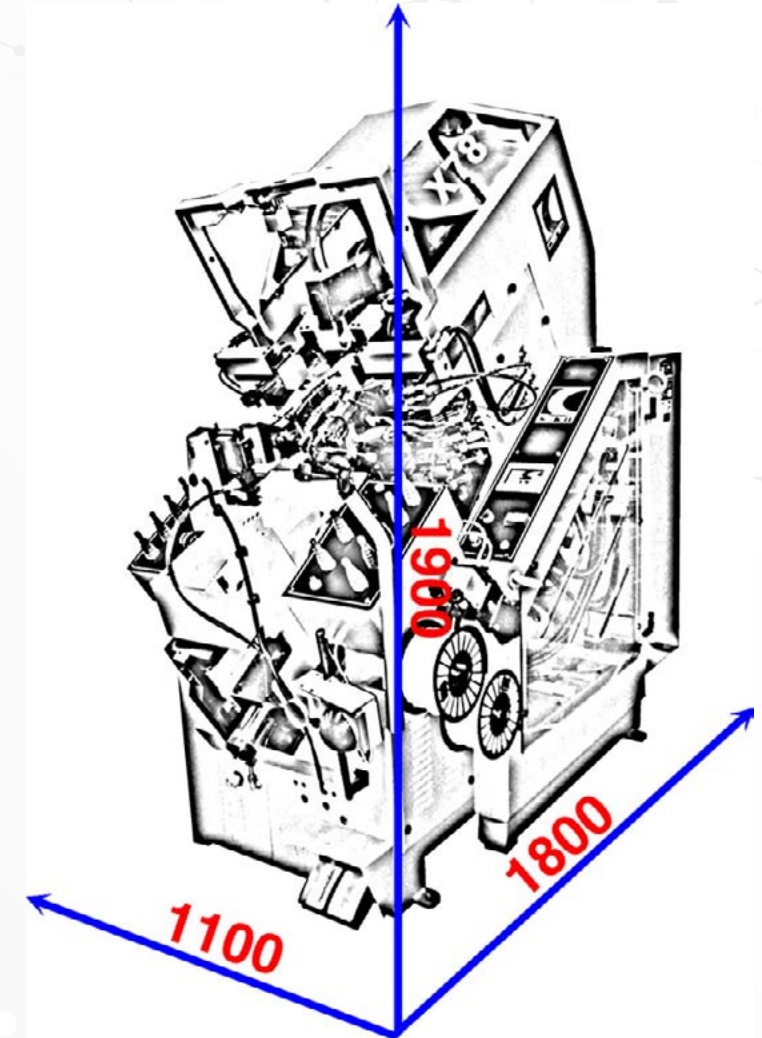
[< BACK TO THE MACHINE DETAILS](#)



TECHNICAL FEATURES X78

DIMENSIONS (L x W x H)	mm 1000 x 1850 x 1950
PACKAGING DIMENSIONS	mm 1300 x 2100 x 2210
NET WEIGHT	Kg 1250
GROSS WEIGHT IN CASE	Kg 1470
TOTAL INSTALLED ELECTRIC POWER	Kw 5,5
PNEUMATIC POWER SUPPLY	Bar 6
POWER SUPPLY	3PH + PE

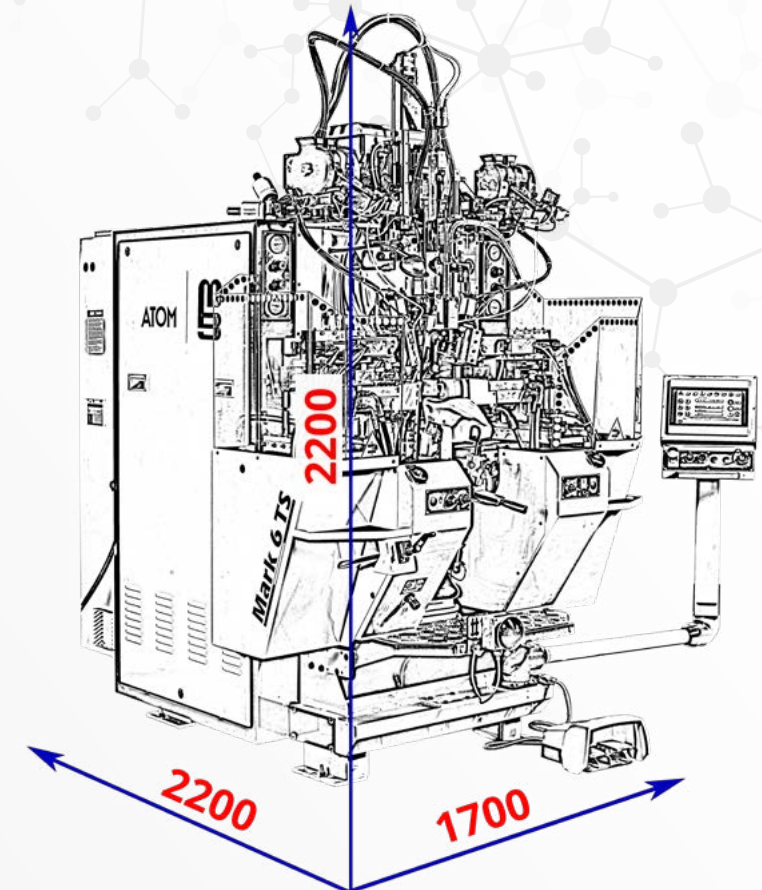
[< BACK TO THE MACHINE DETAILS](#)



TECHNICAL FEATURES AV SEI

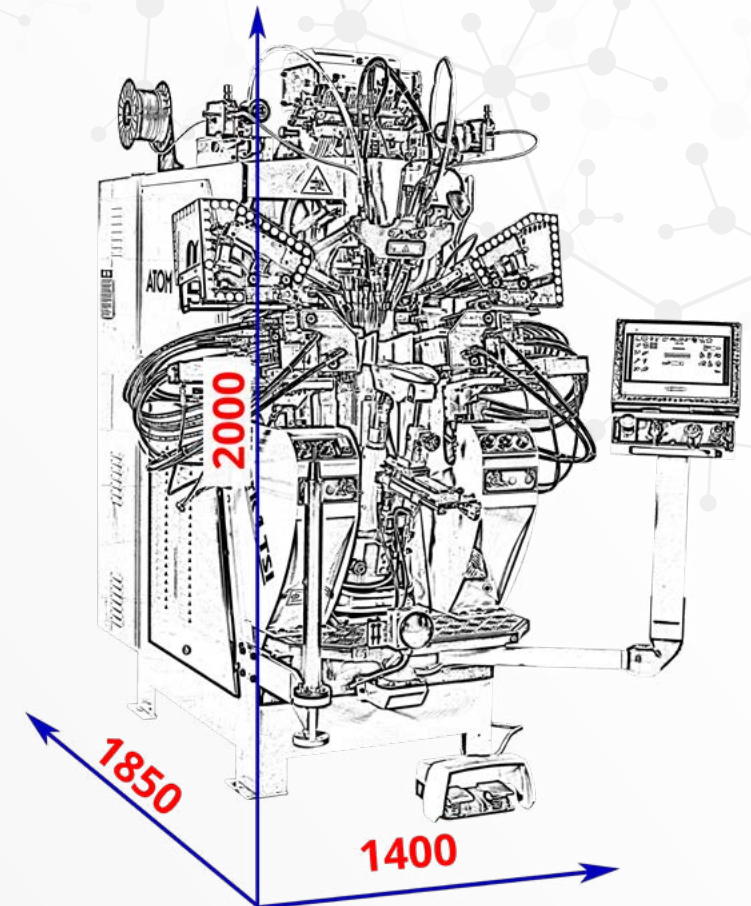
DIMENSIONS (L x W x H)	mm 1700 x 2200 x 2200
PACKAGING DIMENSIONS	mm 1800 x 2300 x 2240
NET WEIGHT	kg 1740
GROSS WEIGHT IN CASE	kg 2030
TOTAL INSTALLED ELECTRIC POWER	Kw 3,8
PNEUMATIC POWER SUPPLY	Bar 6
POWER SUPPLY	3PH + PE

[< BACK TO THE MACHINE DETAILS](#)



TECHNICAL FEATURES AV UNO

DIMENSIONS (L x W x H)	mm 1400 x 1850 x 2000
PACKAGING DIMENSIONS	mm 1700 x 2000 x 2140
NET WEIGHT	kg 1450
GROSS WEIGHT IN CASE	kg 1750
TOTAL INSTALLED ELECTRIC POWER	Kw 3,7
PNEUMATIC POWER SUPPLY	Bar 6
POWER SUPPLY	3PH + PE

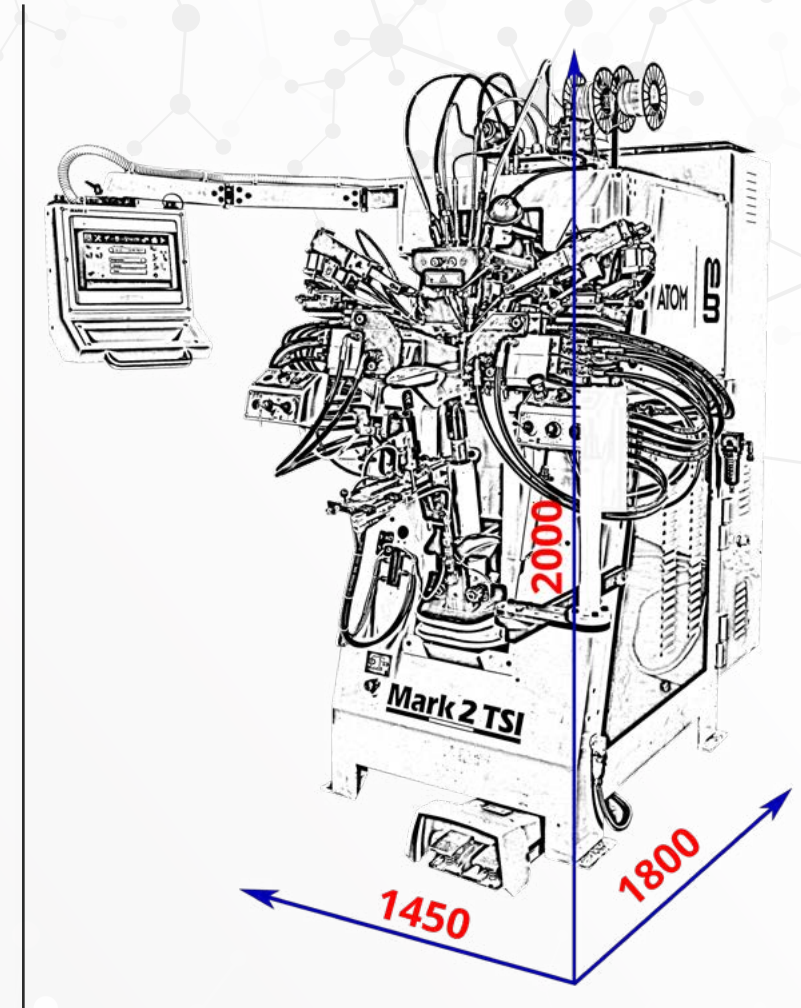


< BACK TO THE MACHINE DETAILS

TECHNICAL FEATURES MARK 2 TSI

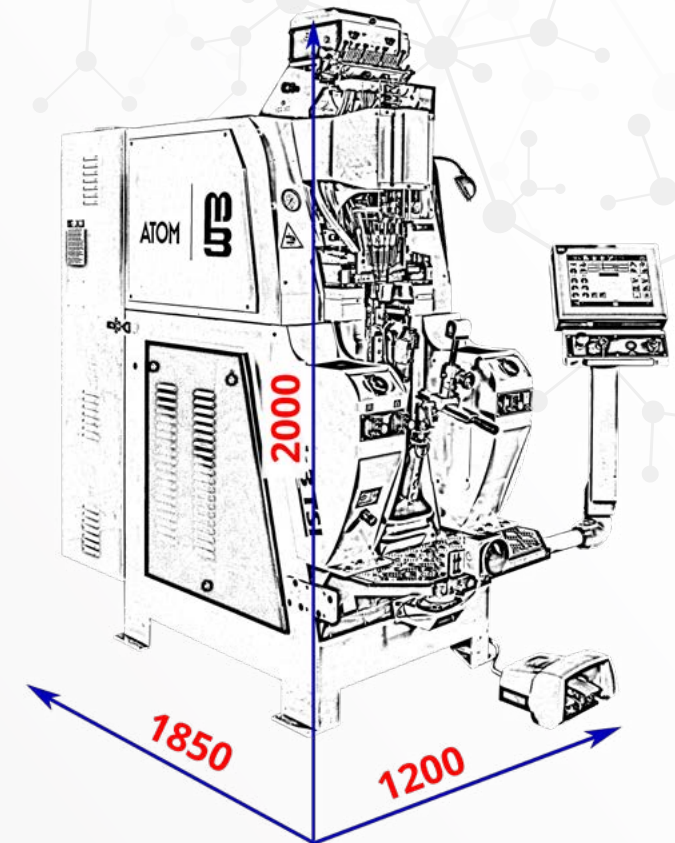
DIMENSIONS (L x W x H)	mm 1450 x 1800 x 2000
PACKAGING DIMENSIONS	mm 1500 x 2000 x 2140
NET WEIGHT	Kg 1340
GROSS WEIGHT IN CASE	Kg 1630
TOTAL INSTALLED ELECTRIC POWER	Kw 5,5
PNEUMATIC POWER SUPPLY	Bar 6
POWER SUPPLY	3PH + PE

< BACK TO THE MACHINE DETAILS



TECHNICAL FEATURES MARK 3 TSI

DIMENSIONS (L x W x H)	mm 1200 x 1850 x 2000
PACKAGING DIMENSIONS	mm 1450 x 2000 x 2140
NET WEIGHT	kg 970
GROSS WEIGHT IN CASE	kg 1255
TOTAL INSTALLED ELECTRIC POWER	Kw 3,7
PNEUMATIC POWER SUPPLY	Bar 6
POWER SUPPLY	3PH + PE

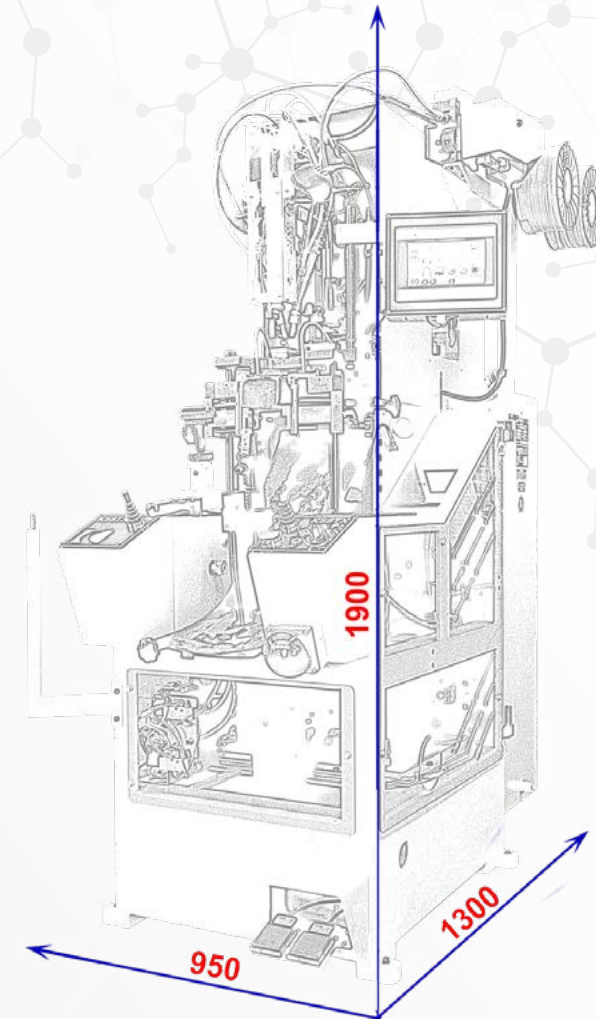


[< BACK TO THE MACHINE DETAILS](#)

TECHNICAL FEATURES **K58TX**

DIMENSIONS (L x W x H)	mm 900 x 1300 x 1900
PACKAGING DIMENSIONS	mm 1100 x 1550 x 2130
NET WEIGHT	Kg 640
GROSS WEIGHT IN CASE	Kg 780
TOTAL INSTALLED ELECTRIC POWER	Kw 3,7
PNEUMATIC POWER SUPPLY	Bar 6
POWER SUPPLY	3PH + PE

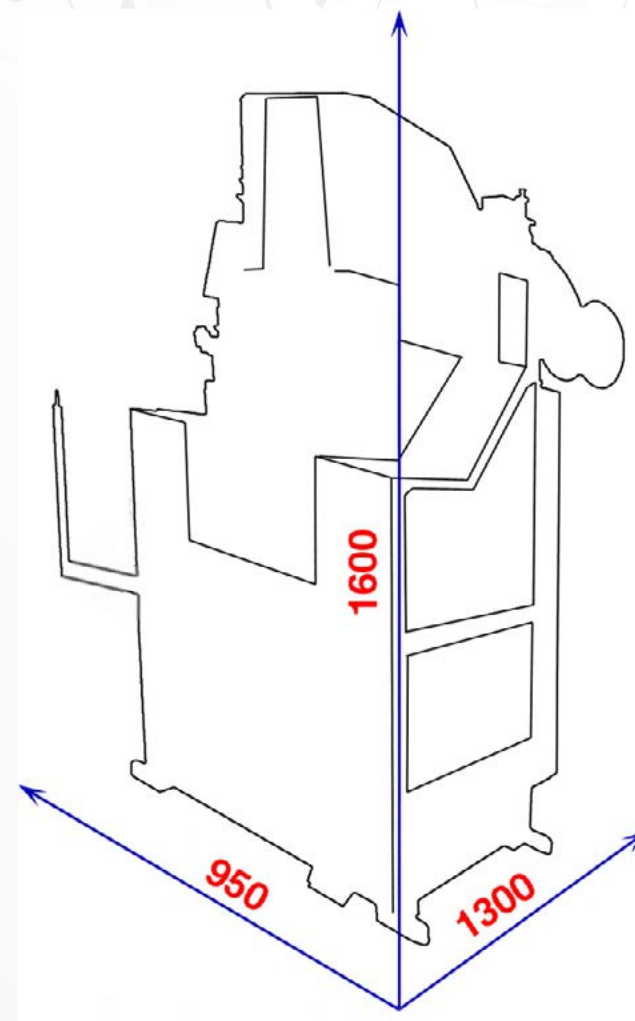
[< BACK TO THE MACHINE DETAILS](#)



TECHNICAL FEATURES K58STI

DIMENSIONS (L x W x H)	mm 700 x 1150 x 1500
PACKAGING DIMENSIONS	mm 900 x 1300 x 1800
NET WEIGHT	Kg 590
GROSS WEIGHT IN CASE	Kg 730
TOTAL INSTALLED ELECTRIC POWER	Kw 3,7
PNEUMATIC POWER SUPPLY	Bar 6
POWER SUPPLY	3PH + PE

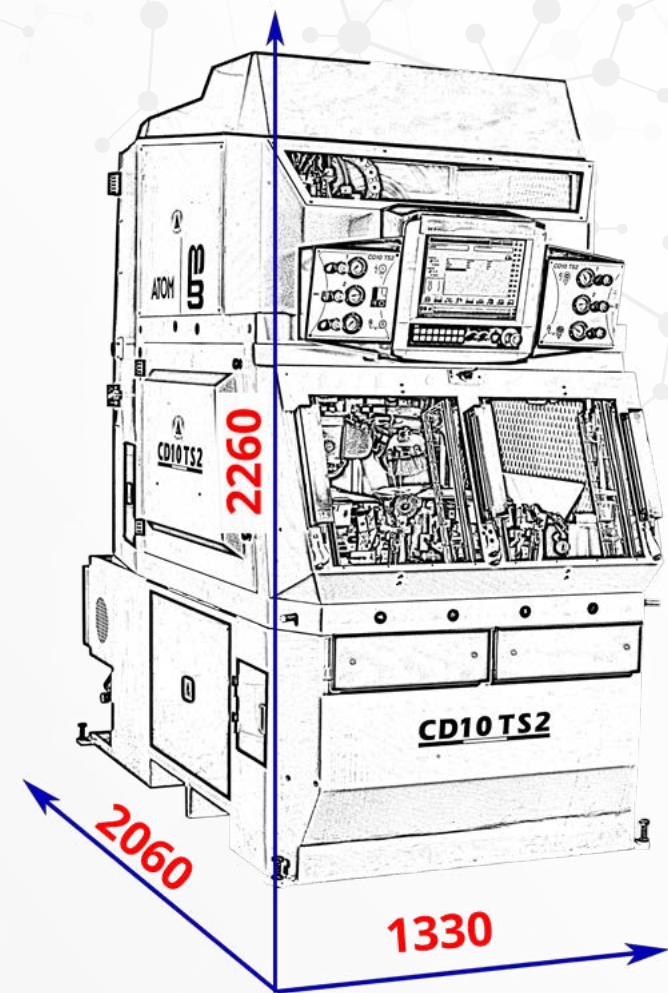
[< BACK TO THE MACHINE DETAILS](#)



TECHNICAL FEATURES CD10 TS2/RC

DIMENSIONS (L x W x H)	mm 1330 x 2060 x 2260
PACKAGING DIMENSIONS	mm 1450 x 2200 x 2240
NET WEIGHT	kg 1400
GROSS WEIGHT IN CASE	kg 1700
TOTAL INSTALLED ELECTRIC POWER	Kw 12,0
PNEUMATIC POWER SUPPLY	Bar 6
POWER SUPPLY	3PH + PE

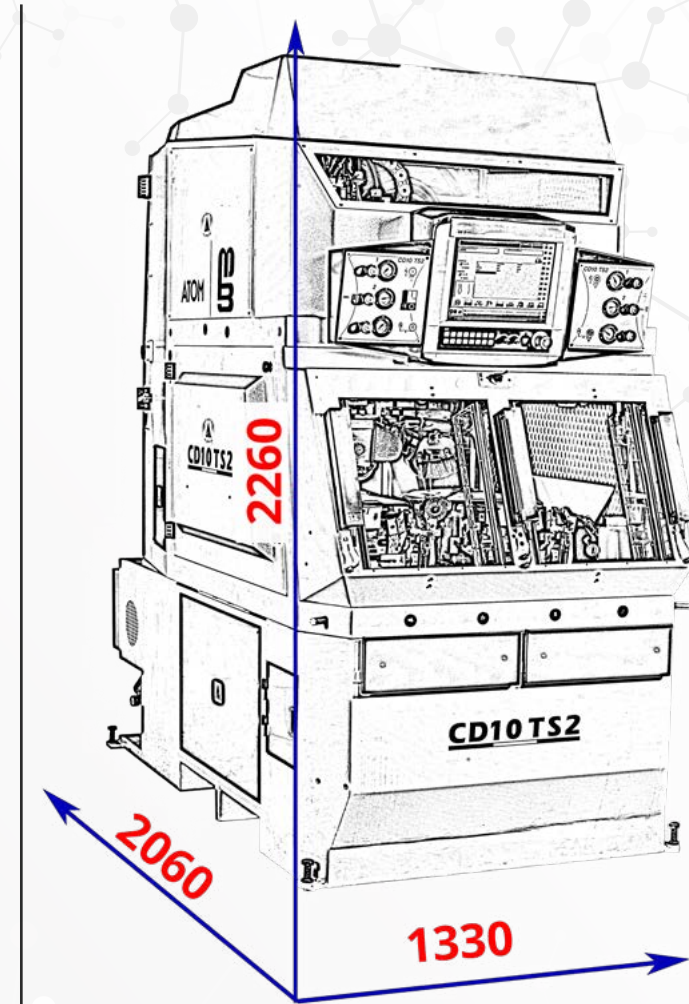
< BACK TO THE MACHINE DETAILS



TECHNICAL FEATURES CD10 TS2/SC

DIMENSIONS (L x W x H)	mm 1330 x 2060 x 2260
PACKAGING DIMENSIONS	mm 1450 x 2200 x 2240
NET WEIGHT	kg 1400
GROSS WEIGHT IN CASE	kg 1700
TOTAL INSTALLED ELECTRIC POWER	Kw 12,0
PNEUMATIC POWER SUPPLY	Bar 6
POWER SUPPLY	3PH + PE

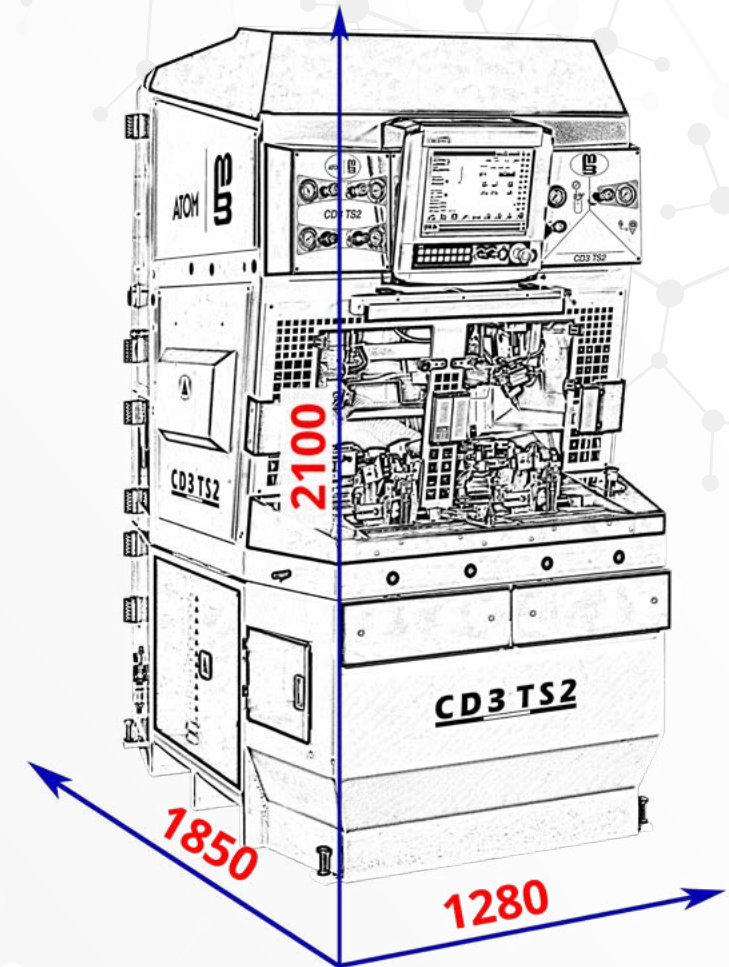
< [BACK TO THE MACHINE DETAILS](#)



TECHNICAL FEATURES CD3 TS2/CI

DIMENSIONS (L x W x H)	mm 1280 x 1850 x 2100
PACKAGING DIMENSIONS	mm 1400 x 2000 x 2240
NET WEIGHT	kg 1150
GROSS WEIGHT IN CASE	kg 1420
TOTAL INSTALLED ELECTRIC POWER	Kw 6,0
PNEUMATIC POWER SUPPLY	Bar 6
POWER SUPPLY	3PH + PE

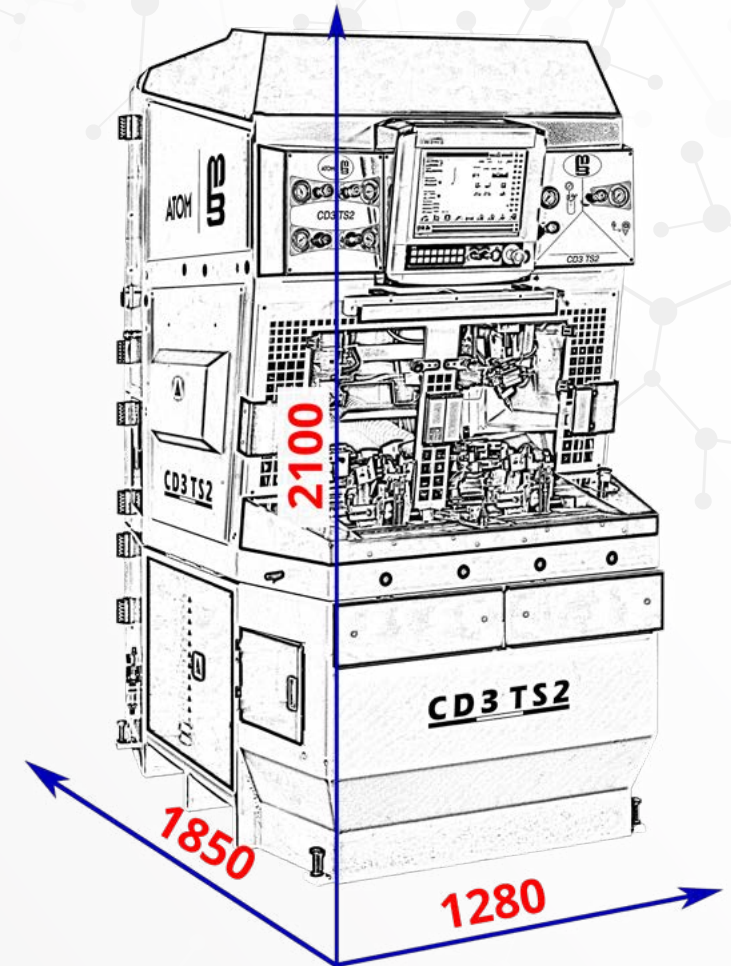
< [BACK TO THE MACHINE DETAILS](#)



TECHNICAL FEATURES CD3 TS2/CC

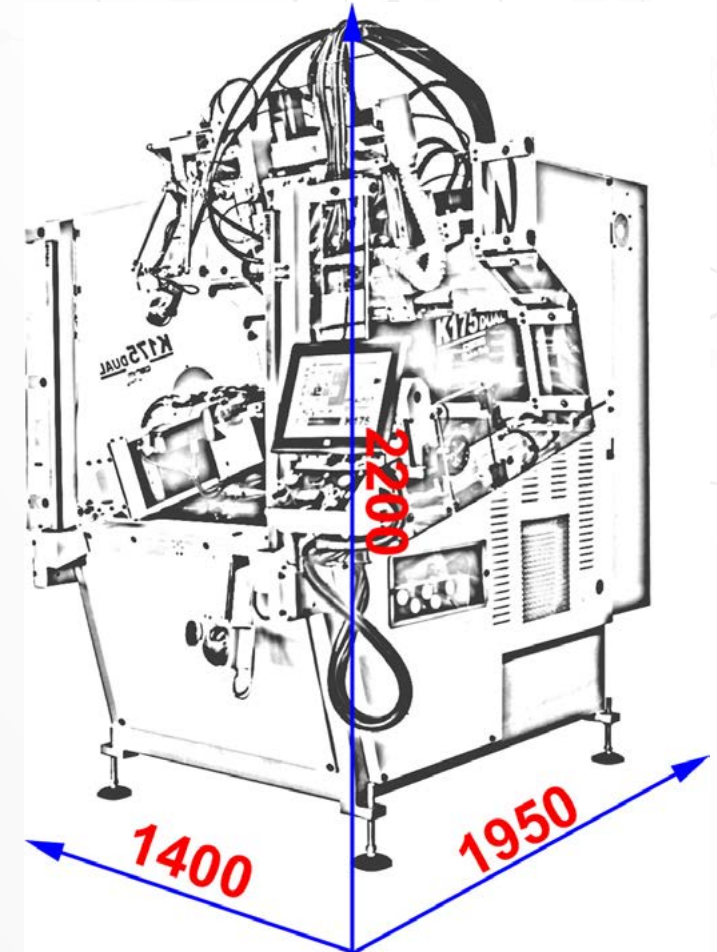
DIMENSIONS (L x W x H)	mm 1280 x 1850 x 2100
PACKAGING DIMENSIONS	mm 1400 x 2000 x 2240
NET WEIGHT	kg 1150
GROSS WEIGHT IN CASE	kg 1420
TOTAL INSTALLED ELECTRIC POWER	Kw 4,5
PNEUMATIC POWER SUPPLY	Bar 6
POWER SUPPLY	3PH + PE

< [BACK TO THE MACHINE DETAILS](#)



TECHNICAL FEATURES K175

DIMENSIONS (L x W x H)	mm 1550 x 2200 x 2250
PACKAGING DIMENSIONS	mm 1900 x 2500 x 2240
NET WEIGHT	Kg 960
GROSS WEIGHT IN CASE	Kg 1120
TOTAL INSTALLED ELECTRIC POWER	Kw 6,0
PNEUMATIC POWER SUPPLY	Bar 6
POWER SUPPLY	3PH + N + PE

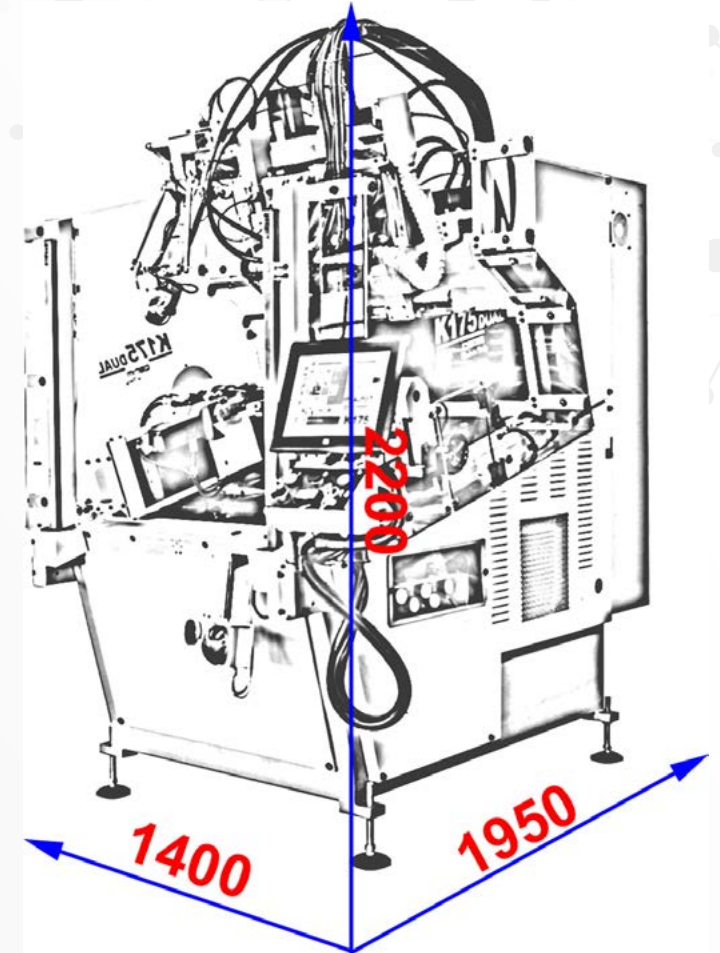


< BACK TO THE MACHINE DETAILS

TECHNICAL FEATURES K195

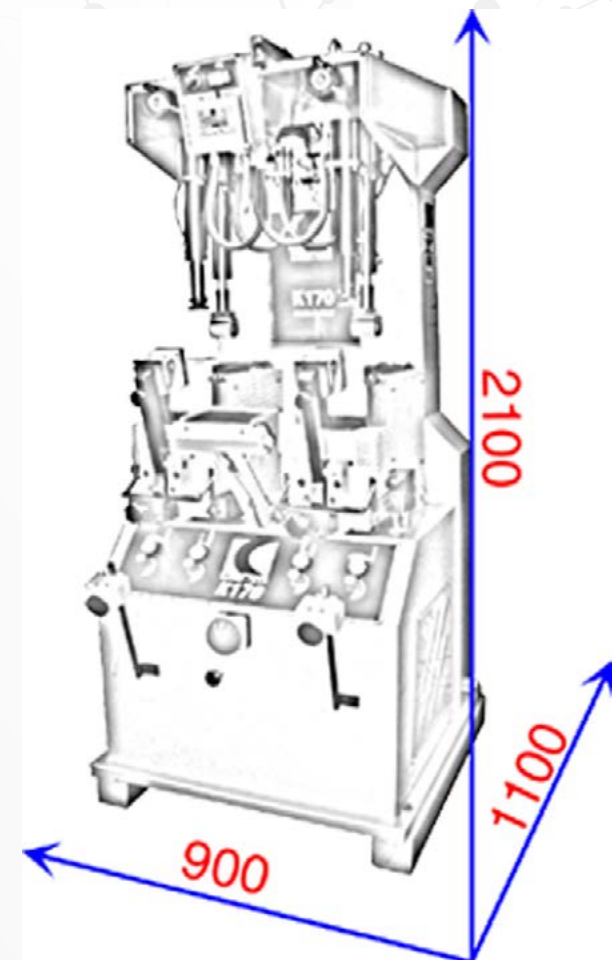
DIMENSIONS (L x W x H)	mm 1550 x 2200 x 2250
PACKAGING DIMENSIONS	mm 1900 x 2500 x 2240
NET WEIGHT	Kg 960
GROSS WEIGHT IN CASE	Kg 1120
TOTAL INSTALLED ELECTRIC POWER	Kw 6,0
PNEUMATIC POWER SUPPLY	Bar 6
POWER SUPPLY	3PH + N + PE

[< BACK TO THE MACHINE DETAILS](#)



TECHNICAL FEATURES K170

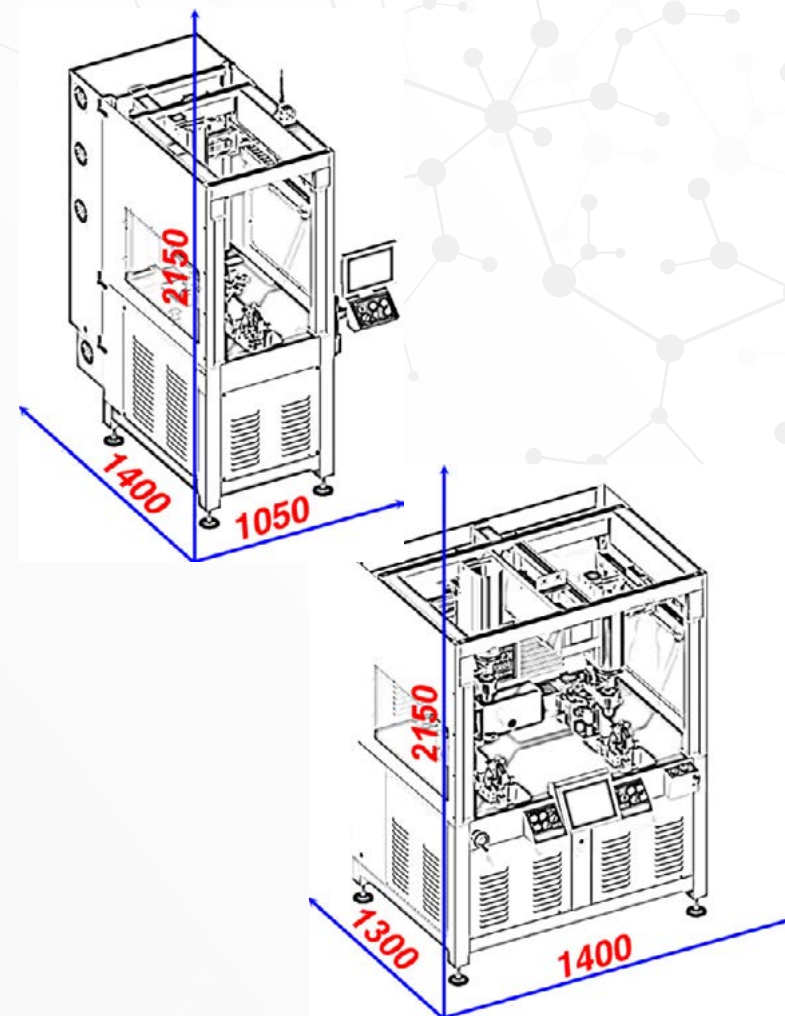
DIMENSIONS (L x W x H)	mm 900 x 1100 x 2100
PACKAGING DIMENSIONS	mm 1000 x 1200 x 2300
NET WEIGHT	Kg 850
GROSS WEIGHT IN CASE	Kg 1030
TOTAL INSTALLED ELECTRIC POWER	Kw 1,9
PNEUMATIC POWER SUPPLY	Bar 6
POWER SUPPLY	3PH + PE



[< BACK TO THE MACHINE DETAILS](#)

TECHNICAL FEATURES K301

	K301 SINGOLA	K301 DOPPIA
DIMENSIONS (L x W x H)	mm 1050 x 1450 x 2150	mm 1400 x 1300 x 2150
PACKAGING DIMENSIONS	mm 1150 x 1500 x 2350	mm 1500 x 1400 x 2350
NET WEIGHT	Kg 500	Kg 700
GROSS WEIGHT IN CASE	Kg 620	Kg 820
TOTAL INSTALLED ELECTRIC POWER	Kw 3,5	Kw 4,5
PNEUMATIC POWER SUPPLY	Bar 6	Bar 6
POWER SUPPLY	3PH + N + PE	3PH + N + PE



[< BACK TO THE MACHINE DETAILS](#)



avantium
A CERIM AND ATOM COMPANY

Avantium

Corso Novara, 218
27029 Vigevano (PV) - Italia
Tel: +39 0381 20905
www.avantium.it
Email: info@avantium.it



ATOM



MADE IN ITALY